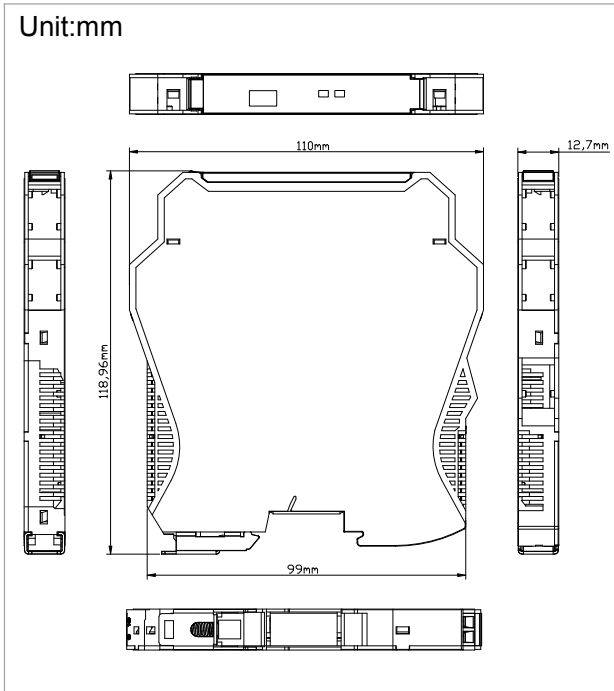


Provide an isolated working power supply to the transmitter, and detect the current in the circuit and output current or voltage signal via isolation and transmission at the same time.

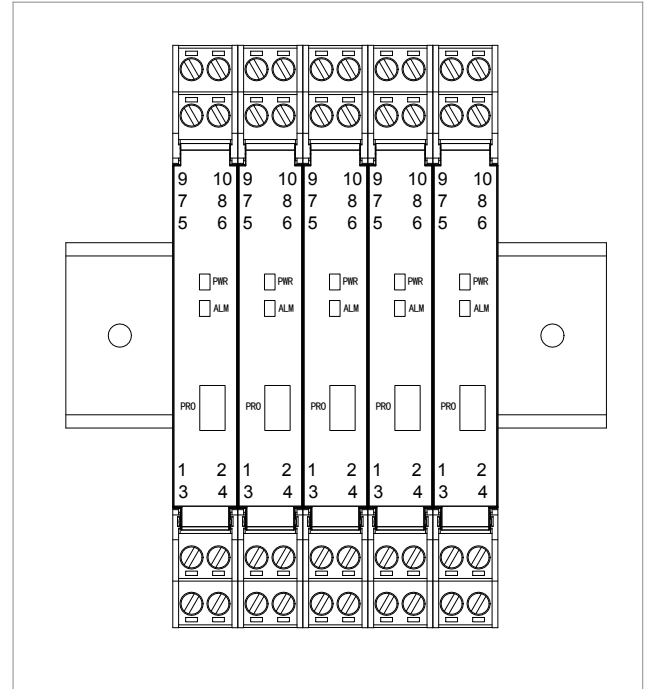
The input, output and power supply terminals are isolated from each other, characterized by the advantages such as fast response, low power consumption and good temperature characteristics.

Dimension



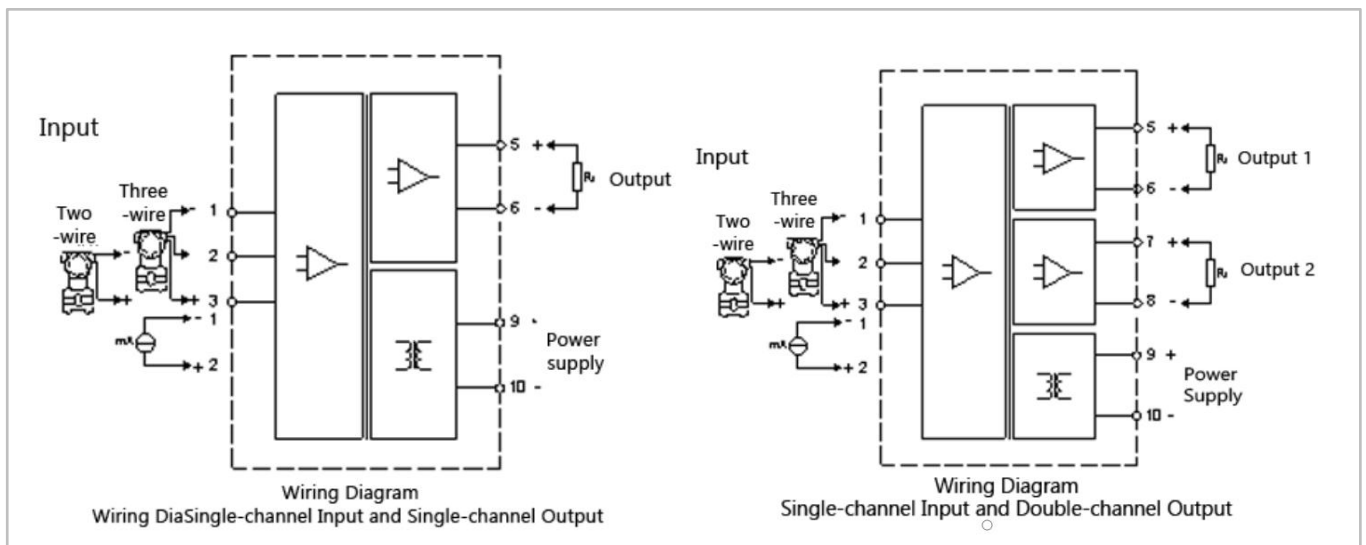
Width×Height×Depth(12.7mm×110mm×118.9mm)

Installation



35mm guide-rail type installation
Please position stably and firmly

Wiring



Parameters

- **Allowed input signal:**
 DC: 0(4)mA~20mA; 0mA~10mA
 Other signal types may be customized as required, see the product label for details;
- **Input impedance:** about 100 Ω
- **Allowed output signal:**
 Current: 0(4)mA~20mA; 0mA~10mA
 Voltage: 0(1) V~5V; 0V~10V
 Other signal types may be customized as required, see the product label for the specific signal types;
- **Output load capacity:**
 0(4)mA~20mA: $\leq 550 \Omega$; 0mA~10mA: $\leq 1.1k \Omega$
 0(1)V~5V: $\geq 1M \Omega$; 0V~10V: $\geq 2M \Omega$
 Other load demands may be customized as required, see the product label for details.
- **Distribution output voltage:**
 No-load voltage $\leq 26V$, full-load voltage $\geq 23V$
- **Accuracy of isolated transmission:**
 $\pm 0.1\%F \cdot S$ ($25^{\circ}C \pm 2^{\circ}C$)
- **Temperature drift:** 40ppm/ $^{\circ}C$
- **Response time:** $\leq 0.5s$
- **Dielectric strength (leakage current 1mA, with test time of 1 minute):**
 $\geq 1500VAC$ (among input/output/power supply)
- **Insulation resistance:**
 $\geq 100M \Omega$ (among input/output/power supply)
- **EMC:** EMC conforms to IEC61326-3
- **Power supply:** DC 18~32V (typical value 24V DC)
- **Full-load power:**

Single-channel input, single-channel output	0.6W
Single-channel input, double-channel output	1.5W

Panel Indicator

PWR : Power indicator (green). When the instrument is powered, it lights up all the time.

ALM : Input signal status indicator, red.

The indicator does not light up during normal operation;

The indicator flashes in case of input signal failures;

The indicator lights up all the time when the input signal is out of range.

Operational Environment

- Ambient temperature during operation: $-20^{\circ}\text{C} \sim +60^{\circ}\text{C}$
- Allowed relative humidity during operation: 10%RH ~ 90%RH (40°C)
- Allowed atmospheric pressure during operation: 80kPa ~ 106kPa
- Allowed ambient temperature during storage and transportation: $-40^{\circ}\text{C} \sim +80^{\circ}\text{C}$

There shall not be strong vibration and the electromagnetic interference exceeding the intensity of Type 3 industrial field from the signal terminal, power supply terminal and space at the installation location, and there shall be no harmful substances having serious corroding effect on the metallic and plastic parts in the operational environment.